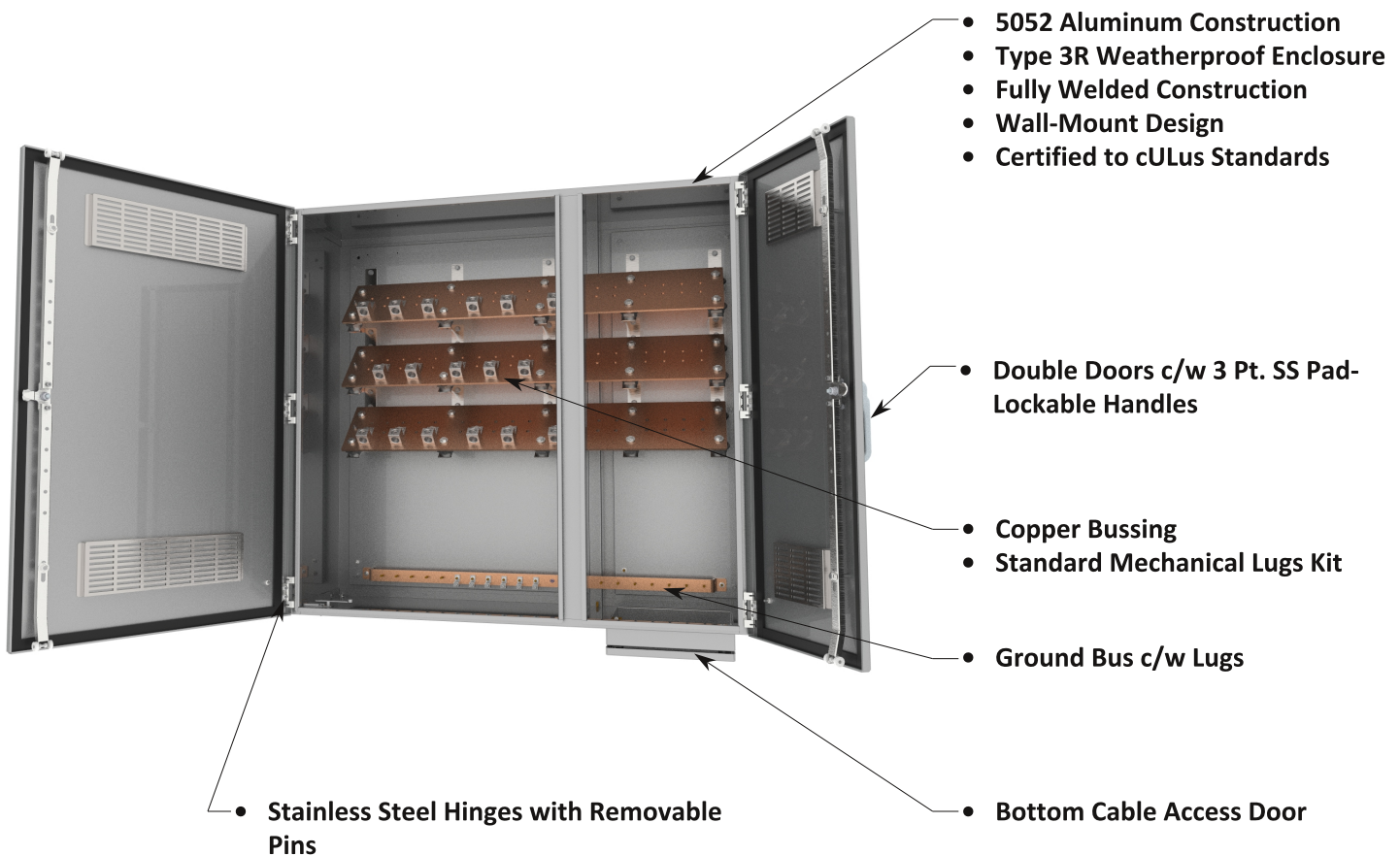


# Connection Cabinets

## FFCC-B2 Series



The FFCC-B2 Series Connection Cabinets offer quick connection to a mobile generator or load bank allowing temporary power to be received quickly and safely. They can be penetrated from the side or bottom to allow for facility wiring. These units are equipped with mechanical lugs allowing for easy connection. Assemblies are available up to 4000A mains and are certified to cULus standards.



### Max Ratings

- 4000A
- 600VAC

### Dimensions

- 44"T x 40"W x 14"D (1600A & Below)
- 48"T x 50"W x 16"D (2000A - 2400A)
- 60"T x 50"W x 24"D (Above 2400A)

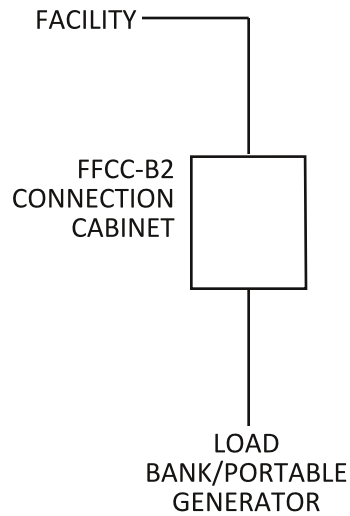
Rev 2.0

# Connection Cabinets

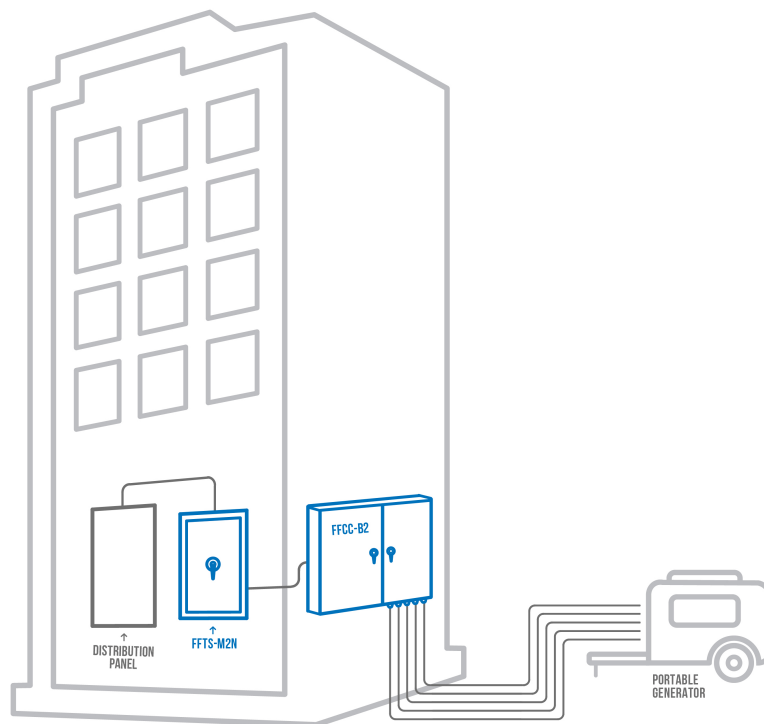
## FFCC-B2 Series



### One-Line Diagram



### Application Diagram



# Connection Cabinets

## FFCC-B2 Series



### Product Selector

FFCC - B2 -  -  -  -  -  PART NO.

FFCC - B2 - **800** - **V7** - **ALU** - **LA** - **A25** EX.

AMPS
400
600
800
1200
1600
2000
2400
2800
3000
3200
3600
4000

VOLTAGE
V1 = 120/240V (1PH + N + G)
V2 = 240V (3PH + G)
V3 = 208Y/120V (3PH + N + G)
V4 = 480Y/277V (3PH + N + G)
V5 = 480V (3PH + G)
V6 = 600Y/347V (3PH + N + G)
V7 = 600V (3PH + G)

ENCLOSURE CONSTRUCTION
ALU = 5052 ALUMINUM
304 = 304 STAINLESS STEEL
316 = 316 STAINLESS STEEL

ACCESSORIES
AXX = 400A CAMLOCK CABLE SET (XX = FT)
AB = CUSTOM POWDER COAT COLOR
AC = HEATER C/W STAT
AF = TERMINAL STRIP
AI = MICRO-SWITCH
AJ = LEG STAND SET
BLANK = NONE

LUG CONFIGURATIONS (PER POLE)			
AMPS	OPTION LA	OPTION LB	OPTION LC
400A	(2) #6 AWG - 250MCM, (2) #2 GND	(1) #4 AWG - 600MCM, (1) #1/0 GND	(1) 300 - 800 MCM, (1) #2/0 GND
600A	(2) #6 AWG - 250MCM, (2) #2 GND	(2) #4 AWG - 600MCM, (2) #1/0 GND	(1) 300 - 800 MCM, (1) #2/0 GND
800A	(3) #4 AWG - 600MCM, (3) #1/0 GND	(2) 300 - 800 MCM, (2) #2/0 GND	(2) 500 - 1000 MCM, (2) #2/0 GND
1200A	(4) #4 AWG - 600MCM, (4) #1/0 GND	(3) 300 - 800 MCM, (3) #2/0 GND	(3) 500 - 1000 MCM, (3) #2/0 GND
1600A	(5) #4 AWG - 600MCM, (5) #1/0 GND	(4) 300 - 800 MCM, (4) #2/0 GND	(4) 500 - 1000 MCM, (4) #2/0 GND
2000A	(6) #4 AWG - 600MCM, (6) #1/0 GND	(5) 300 - 800 MCM, (5) #2/0 GND	(5) 500 - 1000 MCM, (5) #2/0 GND
2400A	(8) #4 AWG - 600MCM, (8) #1/0 GND	(6) 300 - 800 MCM, (6) #2/0 GND	(6) 500 - 1000 MCM, (6) #2/0 GND
2800A	(9) #4 AWG - 600MCM, (9) #1/0 GND	(8) 300 - 800 MCM, (8) #2/0 GND	(7) 500 - 1000 MCM, (7) #2/0 GND
3000A	(9) #4 AWG - 600MCM, (9) #1/0 GND	(8) 300 - 800 MCM, (8) #2/0 GND	(7) 500 - 1000 MCM, (7) #2/0 GND
3200A	(10) #4 AWG - 600MCM, (10) #1/0 GND	(9) 300 - 800 MCM, (9) #2/0 GND	(8) 500 - 1000 MCM, (8) #2/0 GND
3600A	(11) #4 AWG - 600MCM, (11) #1/0 GND	(10) 300 - 800 MCM, (10) #2/0 GND	(9) 500 - 1000 MCM, (9) #2/0 GND
4000A	(12) #4 AWG - 600MCM, (12) #1/0 GND	(11) 300 - 800 MCM, (11) #2/0 GND	(9) 500 - 1000 MCM, (9) #2/0 GND

\*\*FOR CUSTOM LUG SIZES, SPECIFY WHEN PLACING ORDER