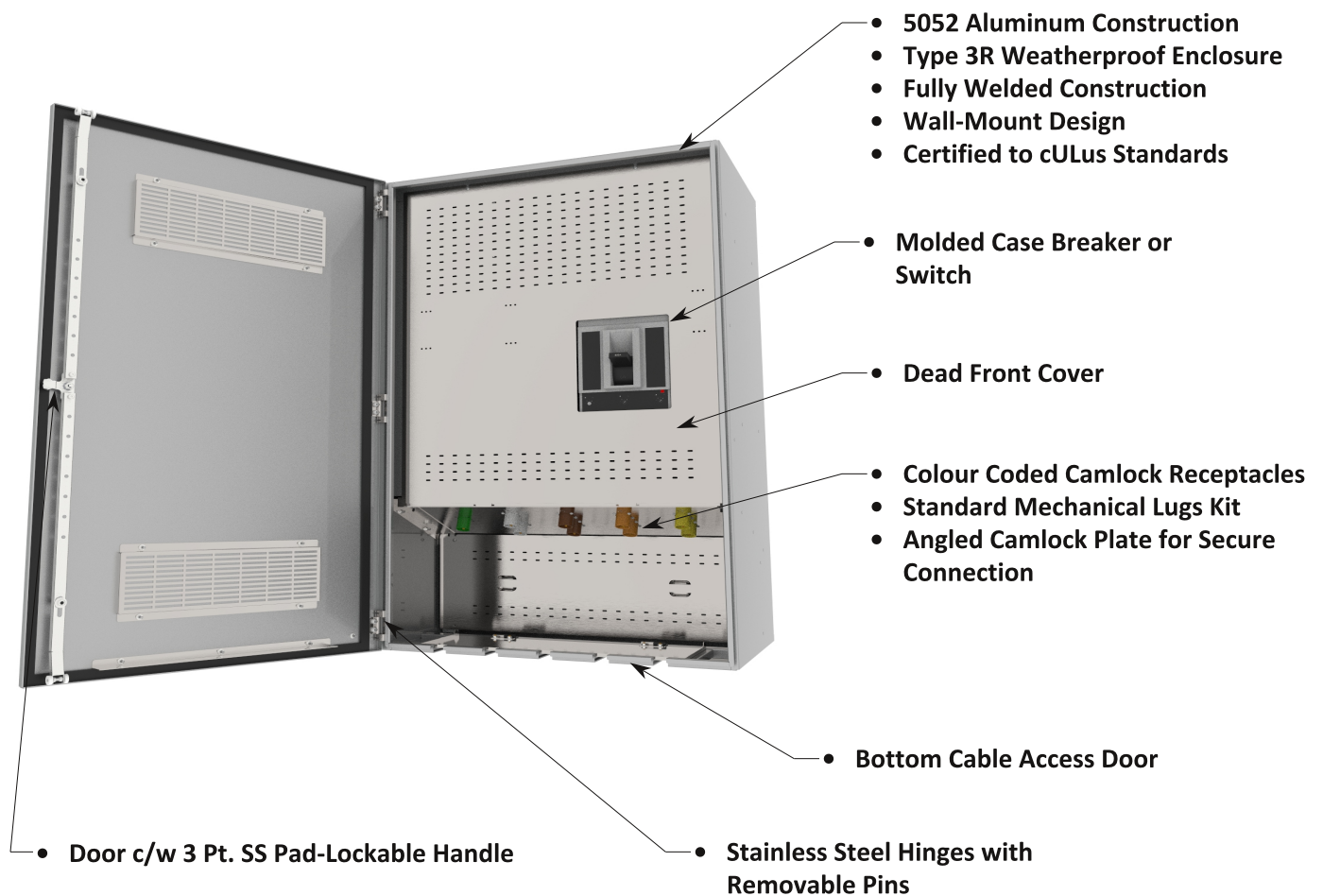


Connection Cabinets

FFCC-C3 Series



The FFCC-C3 Series power box is designed to provide an easy power connection point (outlet) for portable event power, trailers, amusement park power, food trucks and movie set trailers. Units can also be used for connecting a portable generator or load bank and provide overcurrent protection at the same time. They can be penetrated from the back or top to allow for facility wiring and come equipped with a molded case breaker or switch. Units also come complete with colour coded camlock receptacles allowing for easy connection. Assemblies are available with up to 1200A mains and are certified to cULus standards.



Max Ratings

- 1200A
- 600VAC

Dimensions

- 30"T x 24"W x 8"D (250A and Below)
- 42"T x 30"W x 16"D (400A)
- 60"T x 36"W x 24"D (Above 400A)

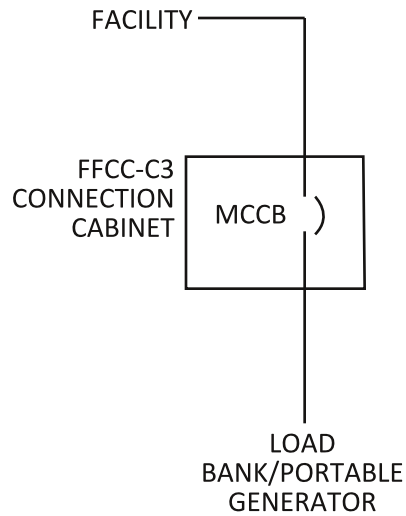
Rev 2.0

Connection Cabinets

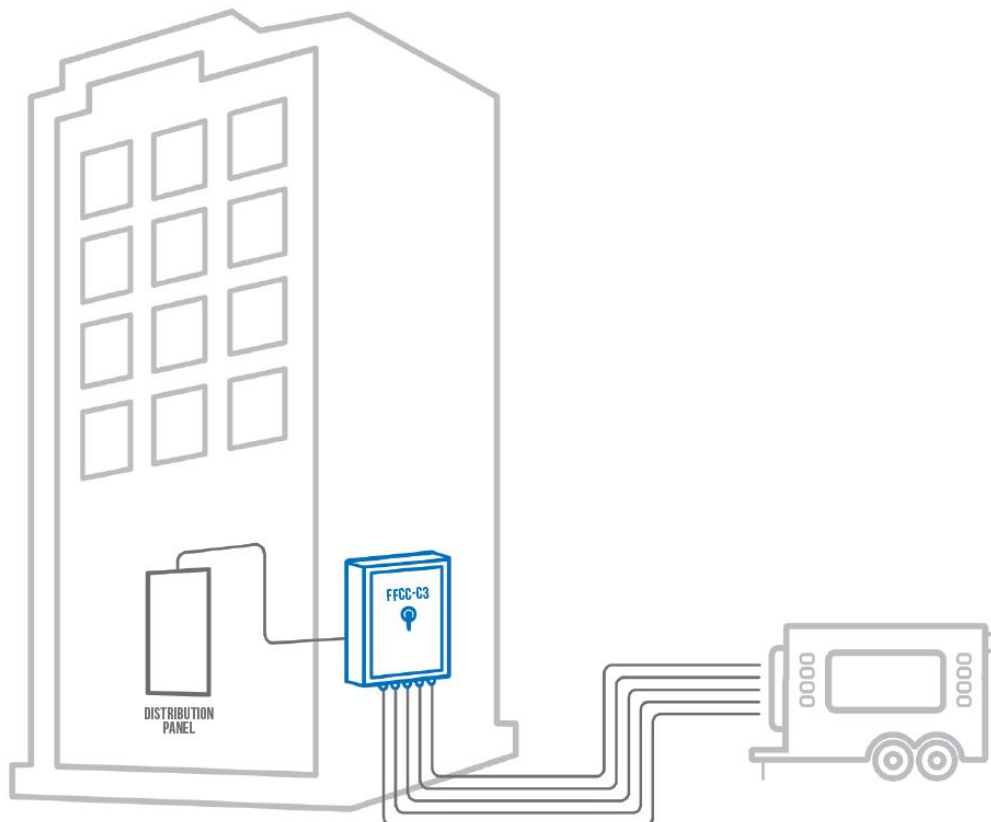
FFCC-C3 Series



One-Line Diagram



Application Diagram



Rev 2.0

Connection Cabinets

FFCC-C3 Series



Product Selector

FFCC - C3 - [] - [] - [] - [] - [] - [] - [] PART NO.

FFCC - C3 - **800** - **TM** - **U3** - **G** - **ALU** - **LA** - **A25** EX.

AMPS

100
200
400
600
800
1200

C.B. TRIP UNIT

TM = THERMAL MAGNETIC
LS = ELECTRONIC LS
LSI = ELECTRONIC LSI
LSG = ELECTRONIC LSG
LSIG = ELECTRONIC LSIG
KS = MOLDED CASE SWITCH

CONNECTION

G = PORTABLE GENERATOR (INLET)
L = LOAD BANK (OUTLET)

ENCLOSURE CONSTRUCTION

ALU = 5052 ALUMINUM
304 = 304 STAINLESS STEEL
316 = 316 STAINLESS STEEL

ACCESSORIES

AXX = 400A CAMLOCK CABLE SET (XX = FT)
AA = CAMLOCK SNAP COVERS
AB = CUSTOM POWDER COAT COLOUR
AC = HEATER W/ STAT
AD = GFCI RECEPTACLE
AE = KEY INTERLOCK
AF = TERMINAL STRIP
AG = PHASE SEQUENCE MONITOR
AH = POWER METER
AI = MICRO-SWITCH
AJ = LEG STAND SET
BLANK = NONE

USA

VOLTAGE	CAMLOCK COLOUR GUIDE				
	A	B	C	N	G
U1 = 120/240V (1PH + N + G)	BLK	RED		WHT	GRN
U2 = 240V (3PH + G)	BLK	RED	BLU		GRN
U3 = 208Y/120V (3PH + N + G)	BLK	RED	BLU	WHT	GRN
U4 = 480Y/277V (3PH + N + G)	BRN	ORG	YEL	WHT	GRN
U5 = 480V (3PH + G)	BRN	ORG	YEL		GRN

CANADA

VOLTAGE	CAMLOCK COLOUR GUIDE				
	A	B	C	N	G
C1 = 120/240V (1PH + N + G)	RED	BLK		WHT	GRN
C2 = 240V (3PH + G)	RED	BLK	BLU		GRN
C3 = 208Y/120V (3PH + N + G)	RED	BLK	BLU	WHT	GRN
C4 = 600Y/347V (3PH + N + G)	RED	BLK	BLU	WHT	GRN
C5 = 600V (3PH + G)	RED	BLK	BLU		GRN

LUG CONFIGURATIONS (PER POLE)

AMPS	OPTION LA	OPTION LB	OPTION LC
100A	(1) #6 AWG - 250MCM, (1) #2 GND	(1) #4 AWG - 600MCM, (1) #1/0 GND	(1) 300 - 800 MCM, (1) #2/0 GND
200A	(1) #6 AWG - 250MCM, (1) #2 GND	(1) #4 AWG - 600MCM, (1) #1/0 GND	(1) 300 - 800 MCM, (1) #2/0 GND
400A	(2) #6 AWG - 250MCM, (2) #2 GND	(1) #4 AWG - 600MCM, (1) #1/0 GND	(1) 300 - 800 MCM, (1) #2/0 GND
600A	(2) #6 AWG - 250MCM, (2) #2 GND	(2) #4 AWG - 600MCM, (2) #1/0 GND	(1) 300 - 800 MCM, (1) #2/0 GND
800A	(3) #4 AWG - 600MCM, (3) #1/0 GND	(2) 300 - 800 MCM, (2) #2/0 GND	(2) 500 - 1000 MCM, (2) #2/0 GND
1200A	(4) #4 AWG - 600MCM, (4) #1/0 GND	(3) 300 - 800 MCM, (3) #2/0 GND	(3) 500 - 1000 MCM, (3) #2/0 GND

**FOR CUSTOM LUG SIZES, SPECIFY WHEN PLACING ORDER