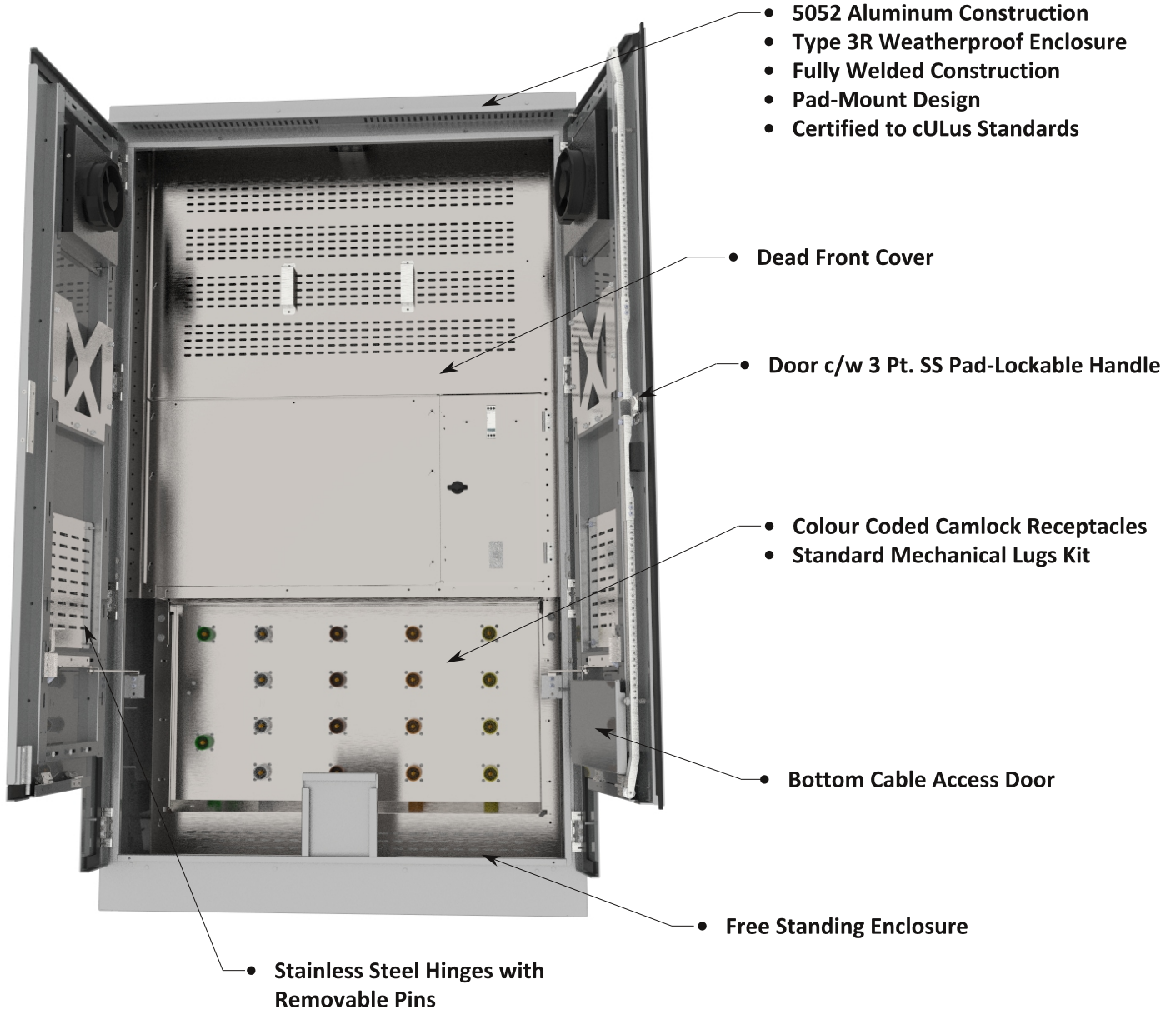


Connection Cabinets

FFCC-P1 Series



The FFCC-P1 Series Connection Cabinets offer quick connection to a mobile generator (inlet) or load bank (outlet). They can be penetrated from the top, bottom or sides to allow for facility wiring. These units are equipped with colour coded camlock receptacles allowing for easy connection. Assemblies are available with up to 4000A mains and are certified to cULus standards.



Max Ratings

- 4000A
- 600VAC

Dimensions

- 78"H x 45"W x 38"D (3000A & Below)
- 78"H x 60"W x 38"D (Above 3200A)

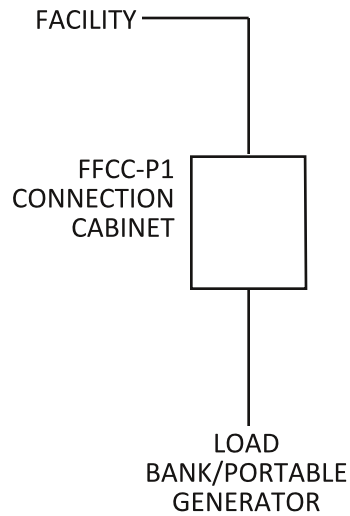
Rev 2.0

Connection Cabinets

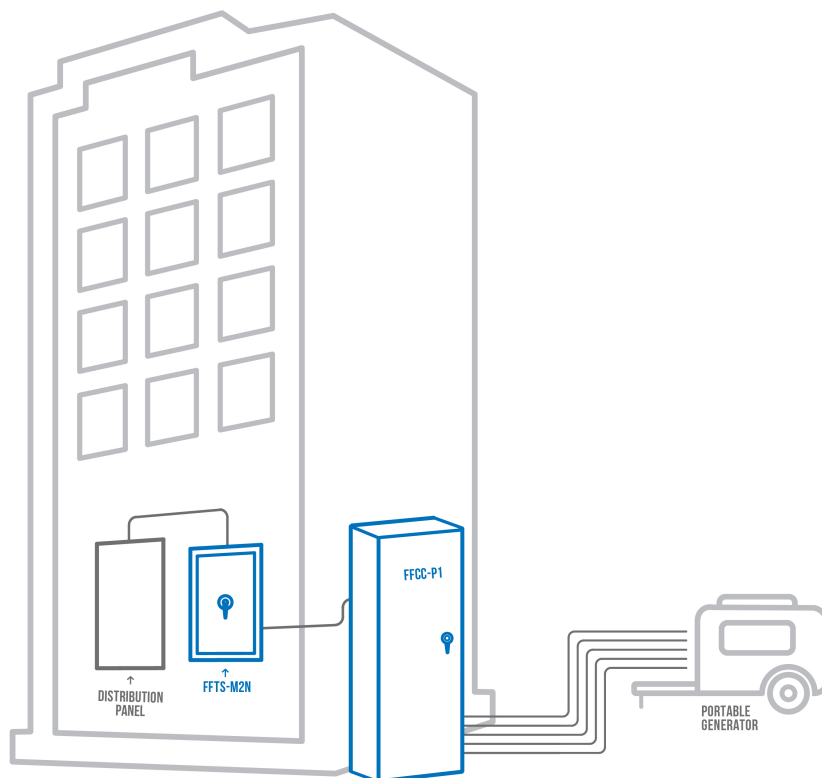
FFCC-P1 Series



One-Line Diagram



Application Diagram



Connection Cabinets

FFCC-P1 Series



Product Selector

FFCC - P1 - [] - [] - [] - [] - [] - [] PART NO.

FFCC - P1 - **3200** - **U3** - **G** - **ALU** - **LA** - **A25** EX.

AMPS
1200
1600
2000
2400
2800
3000
3200
3600
4000

CONNECTION
G = PORTABLE GENERATOR (INLET)
L = LOAD BANK (OUTLET)

ACCESSORIES
AXX = 400A CAMLOCK CABLE SET (XX = FT)
AA = CAMLOCK SNAP COVERS
AB = CUSTOM POWDER COAT COLOR
AC = HEATER C/W STAT
AD = GFCI RECEPTACLE
AE = KEY INTERLOCK
AF = TERMINAL STRIP
AG = PHASE SEQUENCE MONITOR
AH = POWER METER
AI = MICRO-SWITCH
BLANK = NONE

USA					
VOLTAGE	CAMLOCK COLOUR GUIDE				
	A	B	C	N	G
U1 = 120/240V (1PH + N + G)	BLK	RED		WHT	GRN
U2 = 240V (3PH + G)	BLK	RED	BLU		GRN
U3 = 208Y/120V (3PH + N + G)	BLK	RED	BLU	WHT	GRN
U4 = 480Y/277V (3PH + N + G)	BRN	ORG	YEL	WHT	GRN
U5 = 480V (3PH + G)	BRN	ORG	YEL		GRN

ENCLOSURE CONSTRUCTION
ALU = 5052 ALUMINUM
304 = 304 STAINLESS STEEL
316 = 316 STAINLESS STEEL

CANADA					
VOLTAGE	CAMLOCK COLOUR GUIDE				
	A	B	C	N	G
C1 = 120/240V (1PH + N + G)	RED	BLK		WHT	GRN
C2 = 240V (3PH + G)	RED	BLK	BLU		GRN
C3 = 208Y/120V (3PH + N + G)	RED	BLK	BLU	WHT	GRN
C4 = 600Y/347V (3PH + N + G)	RED	BLK	BLU	WHT	GRN
C5 = 600V (3PH + G)	RED	BLK	BLU		GRN

LUG CONFIGURATIONS (PER POLE)			
AMPS	OPTION LA	OPTION LB	OPTION LC
1200A	(4) #4 AWG - 600MCM, (4) #1/0 GND	(3) 300 - 800 MCM, (3) #2/0 GND	(3) 500 - 1000 MCM, (3) #2/0 GND
1600A	(5) #4 AWG - 600MCM, (5) #1/0 GND	(4) 300 - 800 MCM, (4) #2/0 GND	(4) 500 - 1000 MCM, (4) #2/0 GND
2000A	(6) #4 AWG - 600MCM, (6) #1/0 GND	(5) 300 - 800 MCM, (5) #2/0 GND	(5) 500 - 1000 MCM, (5) #2/0 GND
2400A	(8) #4 AWG - 600MCM, (8) #1/0 GND	(6) 300 - 800 MCM, (6) #2/0 GND	(6) 500 - 1000 MCM, (6) #2/0 GND
2800A	(9) #4 AWG - 600MCM, (9) #1/0 GND	(8) 300 - 800 MCM, (8) #2/0 GND	(7) 500 - 1000 MCM, (7) #2/0 GND
3000A	(9) #4 AWG - 600MCM, (9) #1/0 GND	(8) 300 - 800 MCM, (8) #2/0 GND	(7) 500 - 1000 MCM, (7) #2/0 GND
3200A	(10) #4 AWG - 600MCM, (10) #1/0 GND	(9) 300 - 800 MCM, (9) #2/0 GND	(8) 500 - 1000 MCM, (8) #2/0 GND
3600A	(11) #4 AWG - 600MCM, (11) #1/0 GND	(10) 300 - 800 MCM, (10) #2/0 GND	(9) 500 - 1000 MCM, (9) #2/0 GND
4000A	(12) #4 AWG - 600MCM, (12) #1/0 GND	(11) 300 - 800 MCM, (11) #2/0 GND	(9) 500 - 1000 MCM, (9) #2/0 GND

**FOR CUSTOM LUG SIZES, SPECIFY WHEN PLACING ORDER