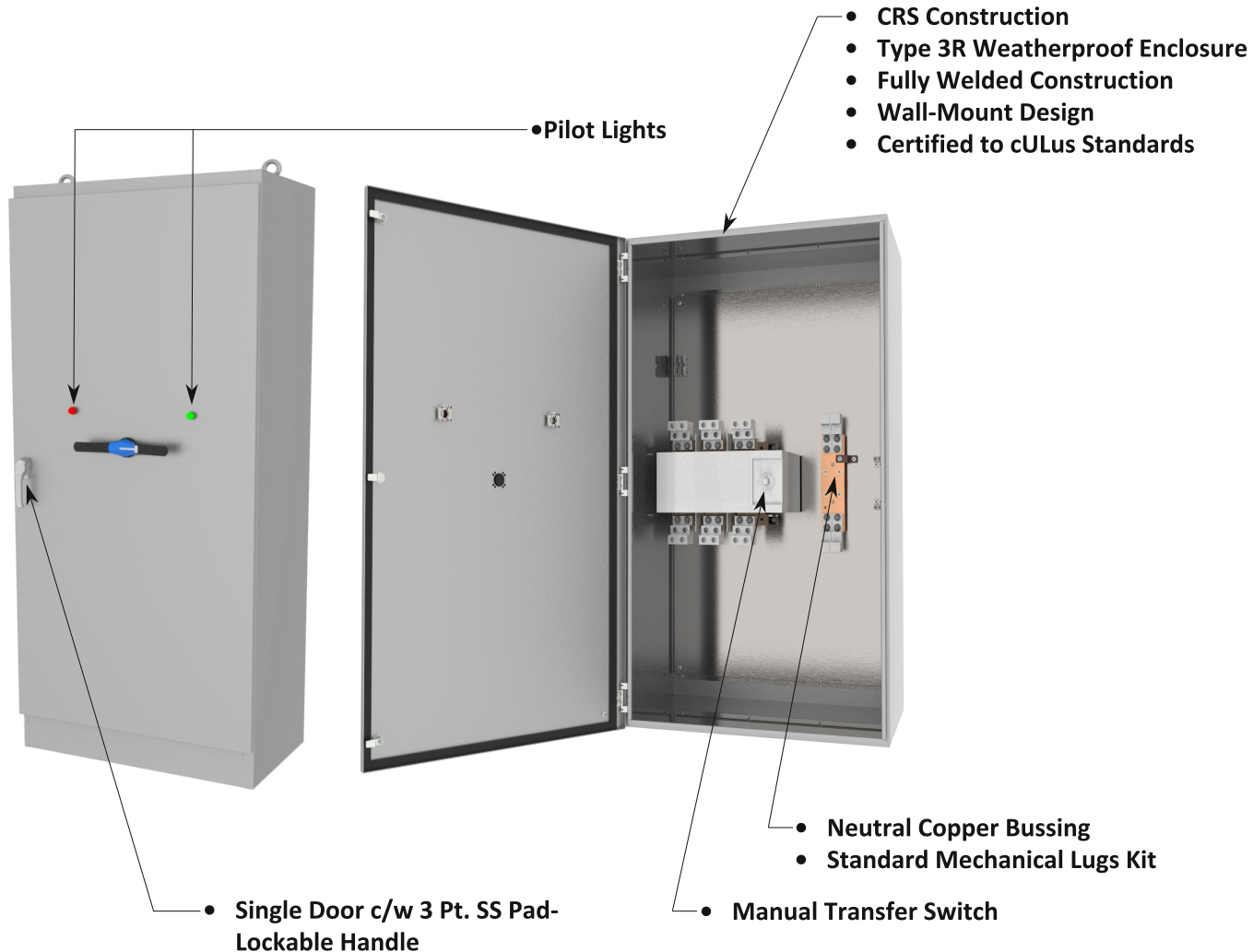


Connection Cabinets

FFTS-M2F Series



The FFTS-M2F Series Fused Manual Transfer Switches allow safe selection between two sources of power (ex. utility or generator). These units come equipped with pilot light indication for quick viewing of the supply selection. Assemblies are available with up to 4000A mains and are certified to cULus standards.



Max Ratings

- 4000A
- 600VAC

Dimensions

- 36" T x 30" W x 16" D (200A & Below)
- 60" T x 36" W x 24" D (400 - 1200A)
- 78" T x 60" W x 38" D (Above 1200A)

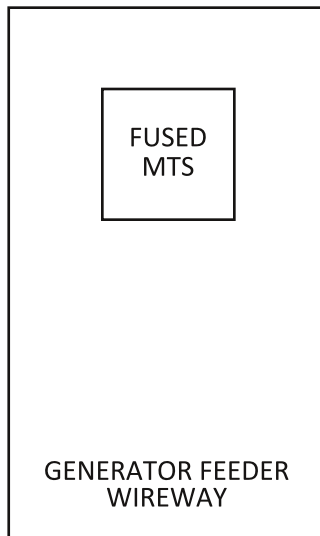
Rev 2.0

Connection Cabinets

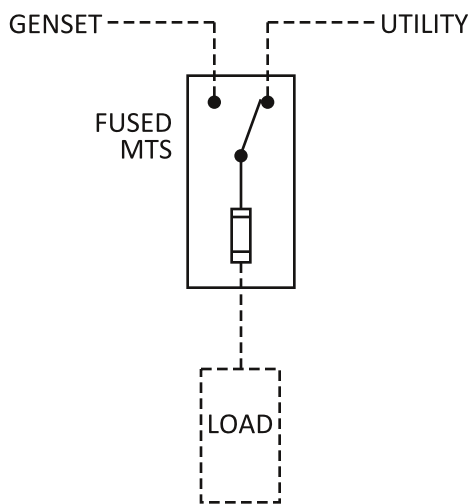
FFTS-M2F Series



Panel Layouts



One-Line Diagram



Connection Cabinets

FFTS-M2F Series



Product Selector

FFTS - M2F - [] - [] - [] - [] - [] PART NO.

FFTS - M2F - **800** - **V3** - **CRS** - **LA** - **A25** EX.

AMPS
100 - 4000

VOLTAGE (LUG CONNECTIONS)	
VOLTAGE	Code
120/240V (1PH + N + G)	V1
240V (3PH + G)	V2
208Y/120V (3PH + N + G)	V3
480Y/277V (3PH + N + G)	V4
480V (3PH + G)	V5
600Y/347V (3PH + N + G)	V6
600V (3PH + G)	V7

ENCLOSURE CONSTRUCTION
CRS = COLD ROLLED STEEL
ALU = 5052 ALUMINUM

ACCESSORIES
AXX = 400A CAMLOCK CABLE SET (XX = FT)
AB = CUSTOM POWDER COAT COLOUR
AC = HEATER W/ STAT
AE = KEY INTERLOCK
AF = TERMINAL STRIP
AG = PHASE SEQUENCE MONITOR
AH = POWER METER
AI = MICRO-SWITCH
BLANK = NONE

LUG CONFIGURATIONS (PER POLE)			
AMPS	OPTION LA	OPTION LB	OPTION LC
100A	(1) #6 AWG - 250MCM, (1) #2 GND	(1) #4 AWG - 600MCM, (1) #1/0 GND	(1) 300 - 800 MCM, (1) #2/0 GND
200A	(1) #6 AWG - 250MCM, (1) #2 GND	(1) #4 AWG - 600MCM, (1) #1/0 GND	(1) 300 - 800 MCM, (1) #2/0 GND
400A	(2) #6 AWG - 250MCM, (2) #2 GND	(1) #4 AWG - 600MCM, (1) #1/0 GND	(1) 300 - 800 MCM, (1) #2/0 GND
600A	(2) #6 AWG - 250MCM, (2) #2 GND	(2) #4 AWG - 600MCM, (2) #1/0 GND	(1) 300 - 800 MCM, (1) #2/0 GND
800A	(3) #4 AWG - 600MCM, (3) #1/0 GND	(2) 300 - 800 MCM, (2) #2/0 GND	(2) 500 - 1000 MCM, (2) #2/0 GND
1200A	(4) #4 AWG - 600MCM, (4) #1/0 GND	(3) 300 - 800 MCM, (3) #2/0 GND	(3) 500 - 1000 MCM, (3) #2/0 GND
1600A	(5) #4 AWG - 600MCM, (5) #1/0 GND	(4) 300 - 800 MCM, (4) #2/0 GND	(4) 500 - 1000 MCM, (4) #2/0 GND
2000A	(6) #4 AWG - 600MCM, (6) #1/0 GND	(5) 300 - 800 MCM, (5) #2/0 GND	(5) 500 - 1000 MCM, (5) #2/0 GND
2400A	(8) #4 AWG - 600MCM, (8) #1/0 GND	(6) 300 - 800 MCM, (6) #2/0 GND	(6) 500 - 1000 MCM, (6) #2/0 GND
2800A	(9) #4 AWG - 600MCM, (9) #1/0 GND	(8) 300 - 800 MCM, (8) #2/0 GND	(7) 500 - 1000 MCM, (7) #2/0 GND
3000A	(9) #4 AWG - 600MCM, (9) #1/0 GND	(8) 300 - 800 MCM, (8) #2/0 GND	(7) 500 - 1000 MCM, (7) #2/0 GND
3200A	(10) #4 AWG - 600MCM, (10) #1/0 GND	(9) 300 - 800 MCM, (9) #2/0 GND	(8) 500 - 1000 MCM, (8) #2/0 GND
3600A	(11) #4 AWG - 600MCM, (11) #1/0 GND	(10) 300 - 800 MCM, (10) #2/0 GND	(9) 500 - 1000 MCM, (9) #2/0 GND
4000A	(12) #4 AWG - 600MCM, (12) #1/0 GND	(11) 300 - 800 MCM, (11) #2/0 GND	(9) 500 - 1000 MCM, (9) #2/0 GND

**FOR CUSTOM LUG SIZES, SPECIFY WHEN PLACING ORDER